



model **6450**  
Waste Strainer

## FEATURES & BENEFITS

---

## OPTIONS

---

For more information, visit [www.hawsc.com](http://www.hawsc.com) or call (888) 640-4297.



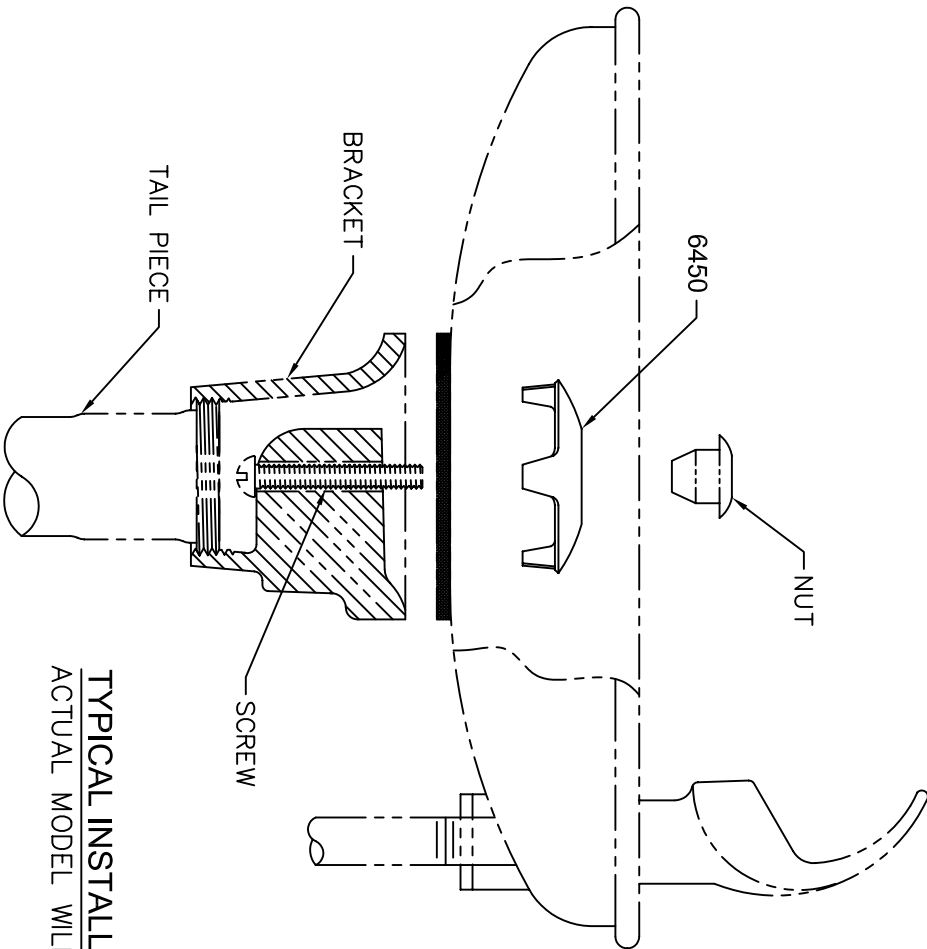
## SPECIFICATIONS

---

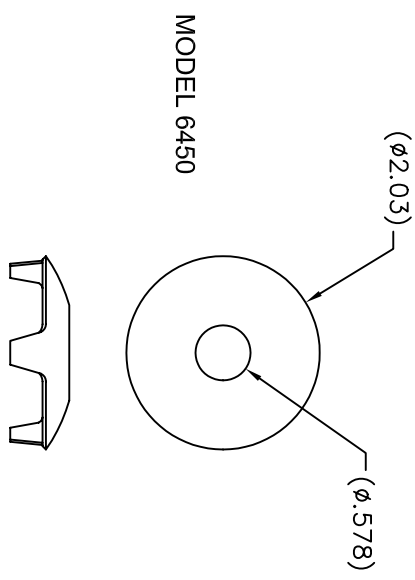
Model 6450 is a polished stainless steel waste strainer for drinking fountain receptors. 2" (5.1 cm) diameter with 9/16" (1.4 cm) center mounting hole.

## APPLICATIONS

---



**TYPICAL INSTALLATION**  
 ACTUAL MODEL WILL VARY



MODEL 6450

<b>Haws</b>		INFO FAX : 1-888-FAX-HAWS (1-888-329-4297)	
CORPORATION		1455 Klegge Ln, Sparks NV, 89431	
PHONE: 775-339-3339		Phone: 775-339-3339	
FAX: 775-339-3339		Fax: 775-339-3339	
Haws Mfg. Pte Ltd 74 Sungai Kudat Loop Singapore 729531		Haws Mfg. Pte Ltd 74 Sungai Kudat Loop Singapore 729531	
E-mail: Haws@hawsco.com		E-mail: Haws@hawsco.com	
Website: www.hawsco.com		Website: www.hawsco.com	
DATE: 12/16/98	DATE: 12/16/98	TITLE: STRAINER	TITLE: STRAINER
MODEL: 6450	MODEL: 6450	INFO FAX DOC # 6450	INFO FAX DOC # 6450
SCALE: 1:1	SCALE: 1:1	INSTALLATION/ASSEMBLY	INSTALLATION/ASSEMBLY
REV: 1	REV: 1	REV: 1	REV: 1